

Panel
Vertical Polarization
Half-power Beam Width

870–960

V

20°

VPol Panel 870–960 20° 16.5dBi

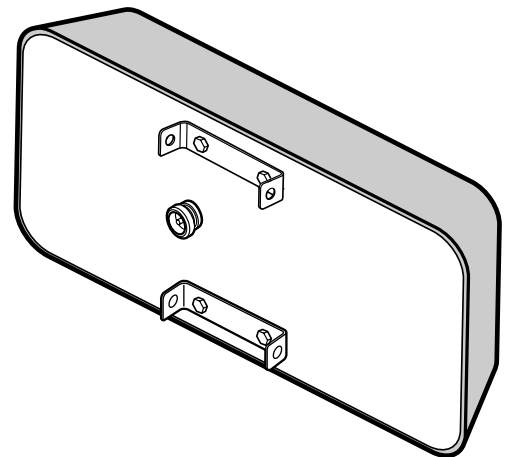
Type No.	735 727
Input	7-16 female
Frequency range	870 – 960 MHz
VSWR	< 1.3
Gain	16.5 dBi
Impedance	50 Ω
Polarization	Vertical
Front-to-back-ratio	> 24 dB
Half-power Beam Width	H-plane: 20°/ E-plane: 33°
Intermodulation IM3 (2 x 43 dBm carrier)	< -150 dBc
Max. power	500 W (at 50 °C ambient temperature)
Weight	10 kg
Wind load	Frontal: 500 N (at 150 km/h) Lateral: 110 N (at 150 km/h) Rearside: 715 N (at 150 km/h)
Max. wind velocity	230 km/h
Packing size	1062 x 562 x 275 mm
Height/width/depth	492 / 992 / 190 mm



Material: Radiator: Aluminum.
 Reflector screen: Weather-proof aluminum.
 Radome: Fiberglass, colour: White.
 All screws and nuts: Stainless steel.

Ice protection: Due to the very sturdy antenna construction and the protection of the radiating system by the radome, the antenna remains operational even under icy conditions.

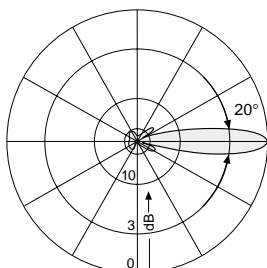
Grounding: All metal parts of the antenna as well as the inner conductor are DC grounded.



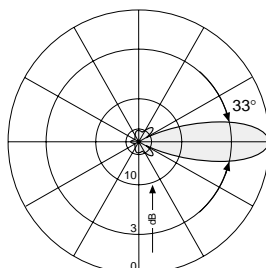
Accessories (order separately)

Type No.	Description	Remarks
K 61 14 02	2 clamps	Mast: 60 – 115 mm diameter
K 61 14 03	2 clamps	Mast: 115 – 210 mm diameter
K 61 14 04	2 clamps	Mast: 210 – 380 mm diameter
K 61 14 05	2 clamps	Mast: 380 – 521 mm diameter

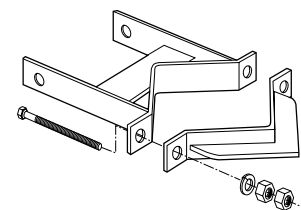
936.701/c Subject to alteration.



Horizontal Pattern



Vertical Pattern



K 61 14 03