

Indoor Omnidirectional Antennas

Vertical Polarization

Multi-band

800/2000

V

KATHREIN

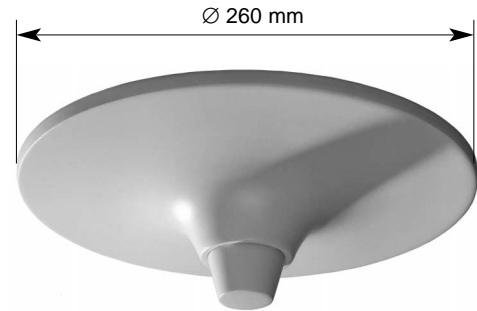
Antennen · Electronic

- The antenna can be operated in all frequency ranges simultaneously.
- The antennas need no additional groundplane.

741 572: Indoor 800/2000 360° 2dBi

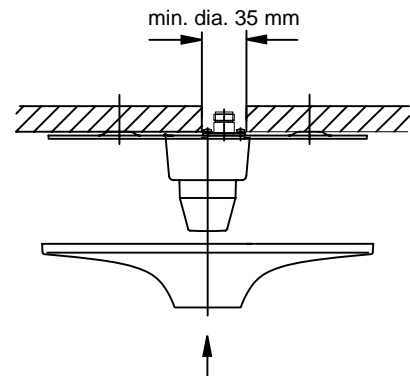
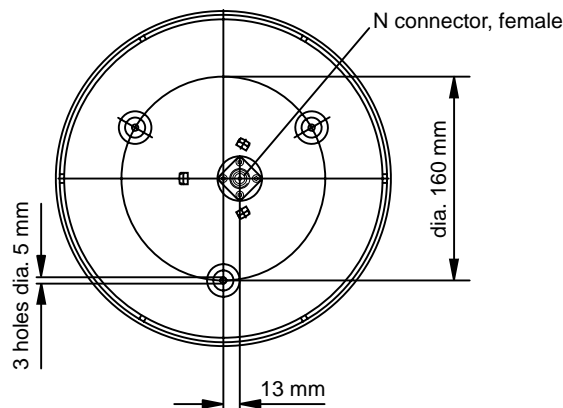
741 571: Indoor 900/2000 360° 2dBi

Type No.	741 572	741 571
Frequency range	824 – 960 MHz 1425 – 2170 MHz	876 – 960 MHz 1710 – 2170 MHz
VSWR	824 – 960 MHz: < 2.0 1425 – 1710 MHz: < 2.0 1710 – 1880 MHz: < 1.5 1850 – 1990 MHz: < 1.6 1920 – 2170 MHz: < 2.0	876 – 890 MHz: < 1.8 890 – 960 MHz: < 1.6 1710 – 1880 MHz: < 1.5 1850 – 1990 MHz: < 1.6 1920 – 2170 MHz: < 2.0
Input	1 x N female	
Gain	2 dBi	
Impedance	50 Ω	
Polarization	Vertical	
Max. power (per band)	50 Watt (at 50 °C ambient temperature)	
Weight	400 g	300 g
Diameter	260 mm	210 mm
Height	78 mm (without connector)	



741 572

- Material:** Base: Aluminum.
Protective housing: High impact polystyrol, colour: White.
Additional painting is possible.
- Mounting:** Three holes in the base enable a mounting on the ceiling. Two types of screws are supplied. For the N connector a hole in the ceiling with a diameter of 35 mm is required.
- Grounding:** All metal parts including the inner conductor are DC grounded.
- Available accessories:** Broadband power splitters and tappers (800 – 2200 MHz).



Clip the protective housing into position after the antenna has been mounted with the help of the three supplied screws.

936.1607/c Subject to alteration.